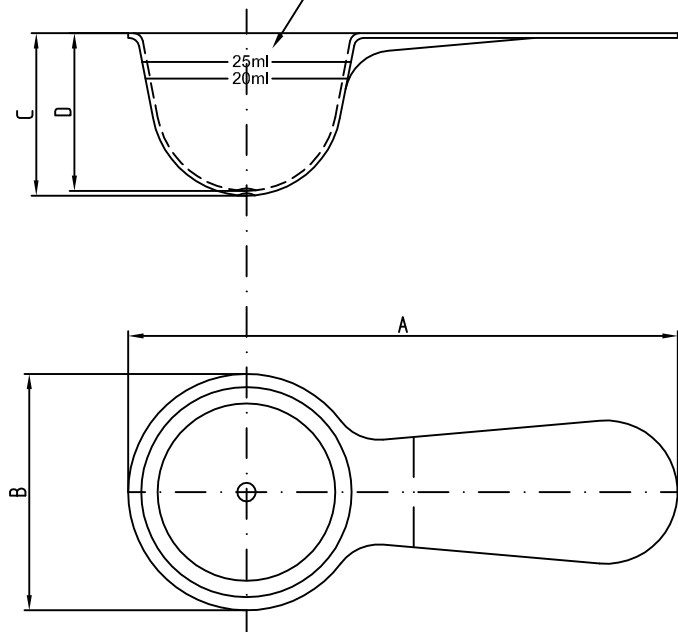


2x engraving (readable from the outside with transparent or transluclide material)



measuring spoon No. 11 PS 33 ml		
A	length	115,0 mm
B	width	49,5 mm
C	height	34,0 mm
D	inner height	33,,0 mm
E	nominal volume	33 ml